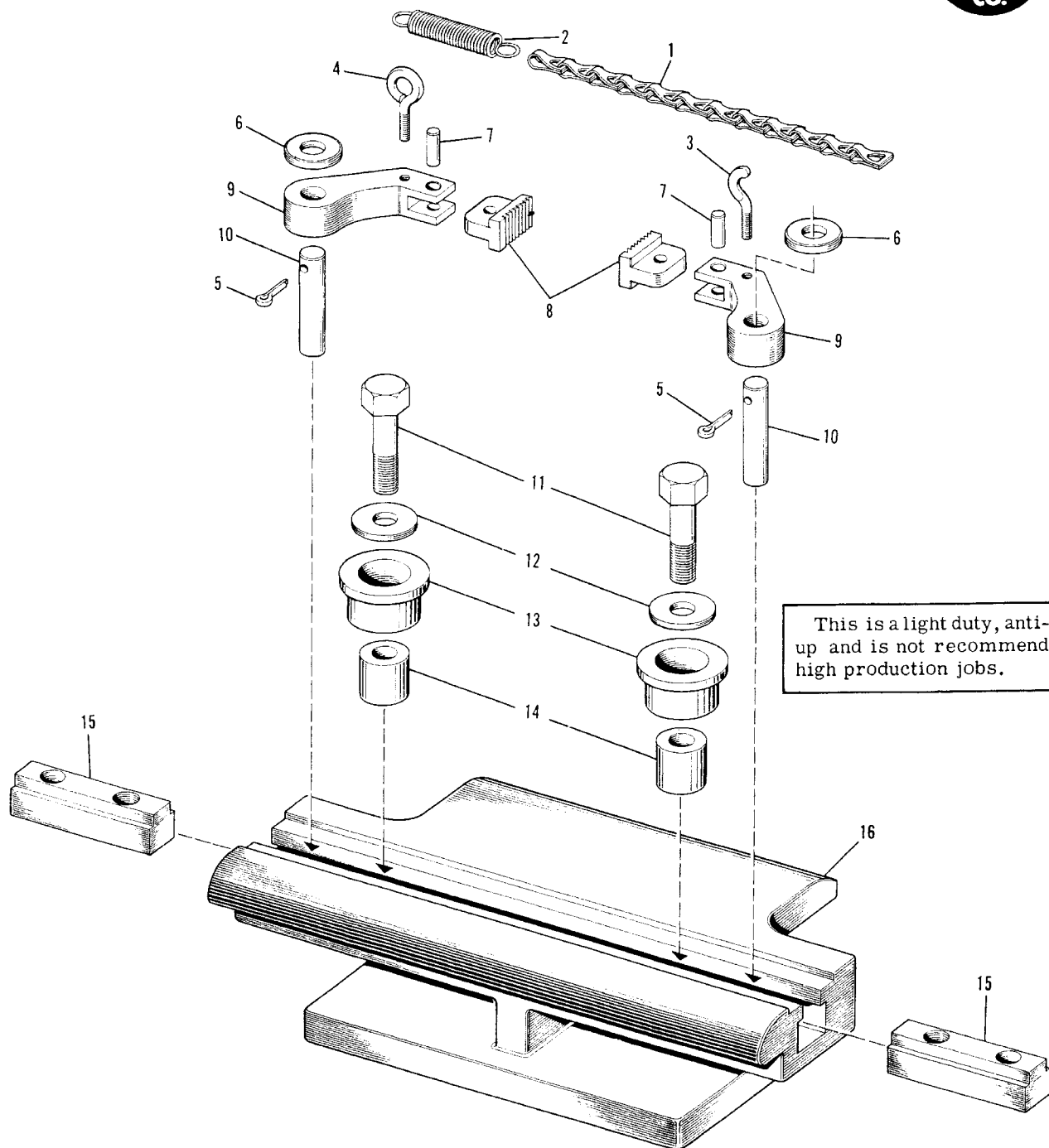


# SECTION VII



## ANTIBACKUP ROLLER STOCK GUIDE



INDEX NO.	DESCRIPTION
1	Chain - Steel, Sash
2	Spring - Extension
3	Bolt - Eye, Chain
4	Bolt - Eye, Spring
5	Pin - Cotter
6	Washer - Steel
7	Pin - Pawl
8	Jaw - Antibackup

INDEX NO.	DESCRIPTION
9	Pawl - Antibackup
10	Pin - Pivot
11	Screw - Hex-head Cap
12	Washer - Steel
13	Roller - Stock Guide
14	Hub - Roller
15	Block - Clamp
16	Table - Stock