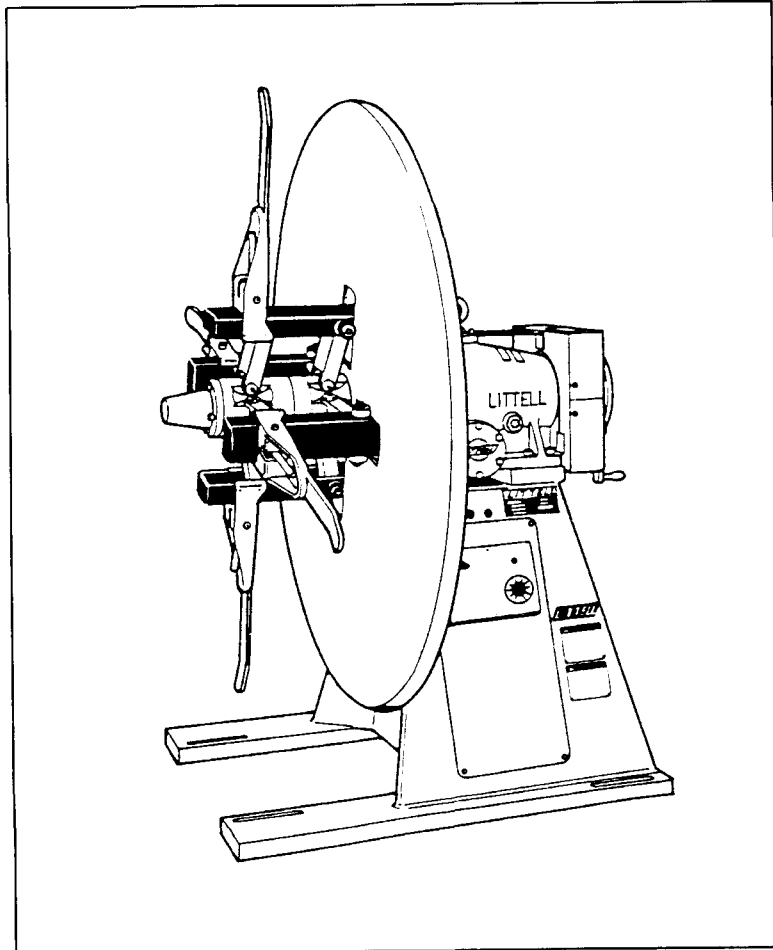


NO. 6000 ADVANTAGE SERIES - 4 ARM SINGLE AUTOMATIC CENTERING REEL WITH ELECTRIC BRAKE, AND BACK PLATE

SERVICE BULLETIN
NUMBER SD-202



CONTENTS

CAPACITIES.....	2
SPINDLE ASSEMBLY.....	3
SPINDLE ASSEMBLY PARTS LIST.....	4
BASE ASSEMBLY & PARTS LIST.....	5
WIRING DIAGRAM.....	6

LITTELL INTERNATIONAL, INC.

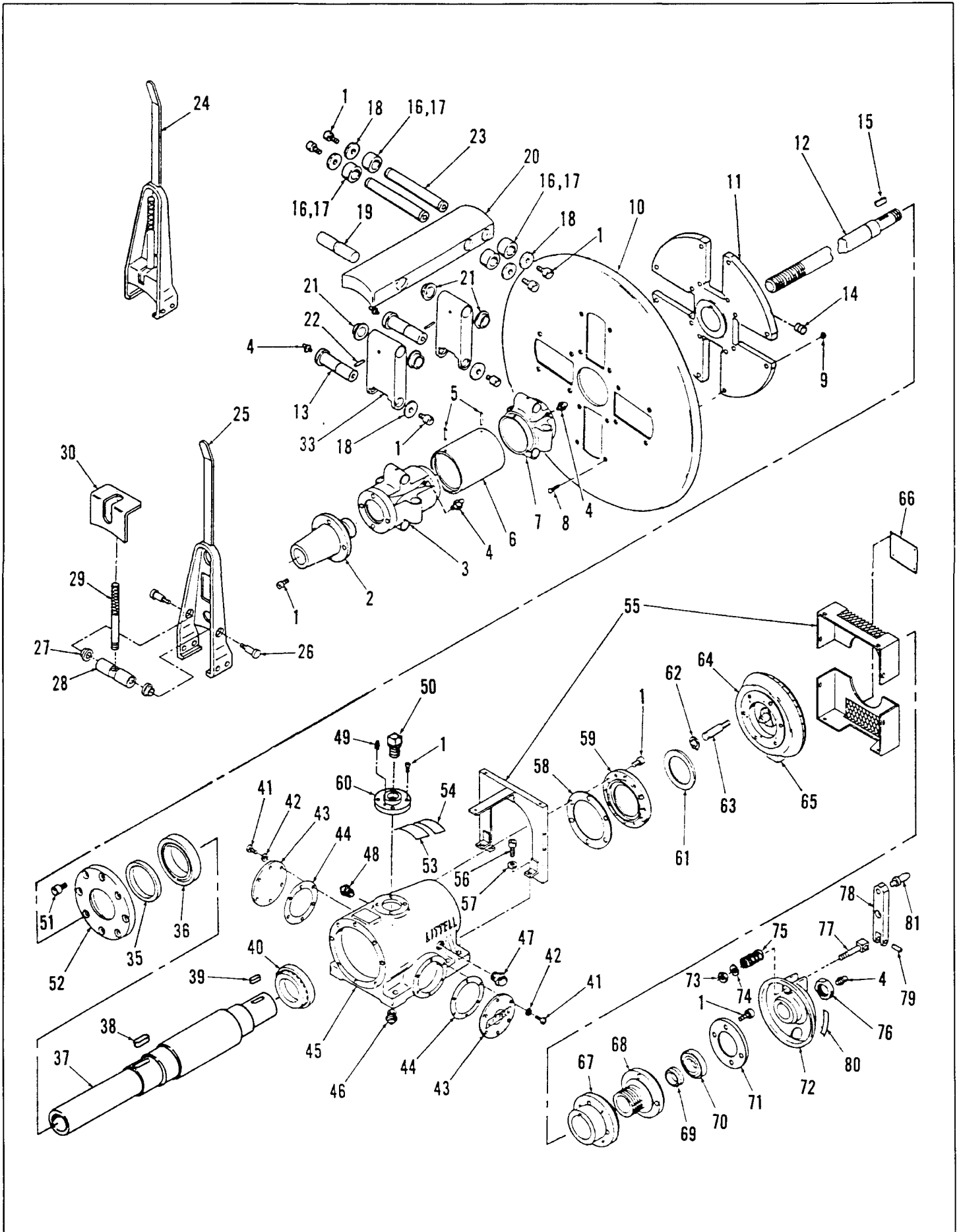
145 SWIFT ROAD, ADDISON, ILLINOIS 60101-1407, U.S.A.
AREA CODE: (708) 916-6662 LITTELL TELEFAX: (708) 916-6663
SERVICE DEPARTMENT TELEFAX: (708) 916-6664

**NO. 6000 ADV. SERIES SINGLE A.C. REEL
CAPACITIES**

CAPACITIES:

SIZE OF ADVANTAGE SERIES REEL	6000 - 12"	6000 - 18"	6000 - 24"
MAX WIDTH	12"	18"	24"
MAX WEIGHT OF COIL ON EACH SIDE	6,000 POUNDS		
INSIDE DIAMETER OF 4 - ARM REEL	15" - 20" OR 19" - 24"		
MAX OUTSIDE DIAMETER	60"		

NO. 6000 ADV. SERIES SINGLE A.C. REEL
SPINDLE ASSEMBLY



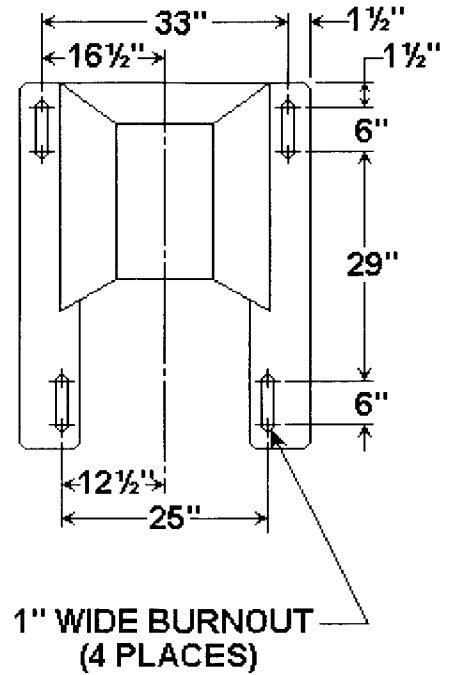
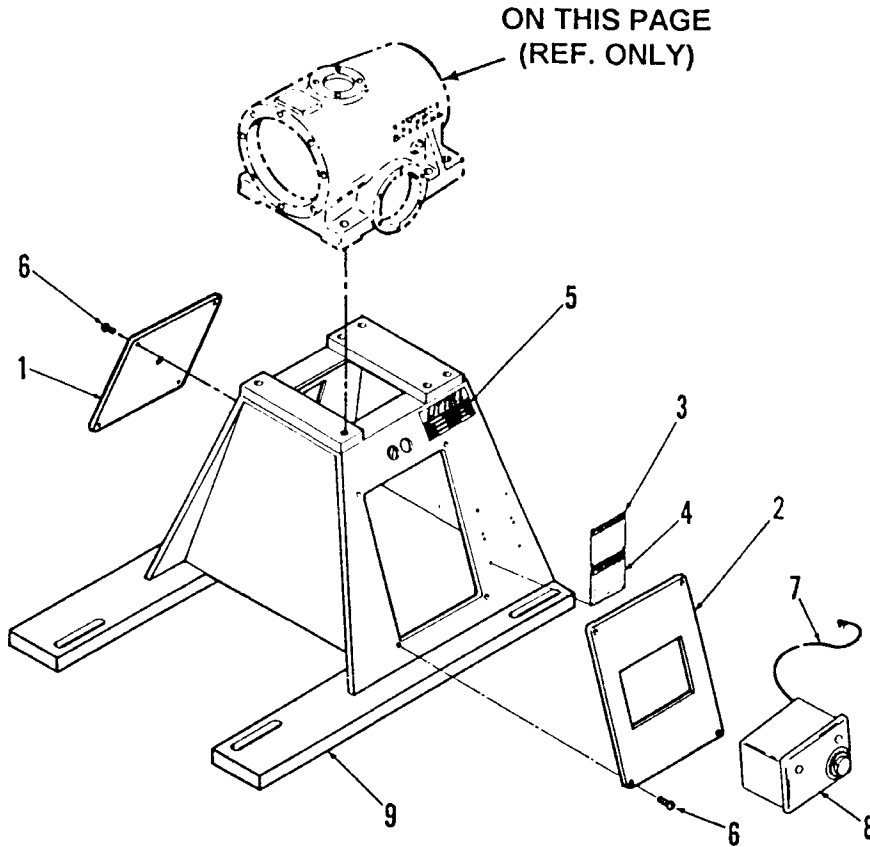
**NO. 6000 ADV. SERIES SINGLE A.C. REEL
SPINDLE ASSEMBLY PARTS LIST**

ITEM NO.	DESCRIPTION	ITEM NO.	DESCRIPTION
1.	Screw, Soc. Hd. Cap 3/8-16 x 1" Lg.	43.	Cover, Gear Case, Side
2.	Nut, Adjusting Screw	44.	Gasket, Round
3.	Sleeve, Front Spindle	45.	Case, Gear
4.	Fitting, Grease 1/8 NPT	46.	Plug, Magnetic, "LISLE"
5.	Pin, Roll, "ESNA" No. 59-062-312-0750	47.	Gauge, Oil, "GITS"
6.	Tube, Spacer *	48.	Plug, Pipe, Hollow Hd.
7.	Sleeve, Rear Spindle	49.	Breather, "SCOVILL" Vent
8.	Screw, Flat Hd. 3/8-16 x 1-3/4" Lg.	50.	Plug, Pipe, Square Hd. 3/4"
9.	Nut, Flexlock 3/8-16	51.	Screw Hol. Hd. Cap 1/2-13 x 1" Lg.
10.	Plate, Guide Reel	52.	Retainer, Bearing, Front
11.	Hub, Disc	53.	Plate, Name, Oil for Gear Case
12.	Screw, Adjusting *	54.	Plate, Name, 10 Points Lube Sleeve, Link Pivots and Spindle
13.	Pin, Link, Lower	55.	Guard, Electric Brake
14.	Screw, Hol. Hd. Set 3/4-10 x 1-1/2" Lg.	56.	Screw, Hol. Hd. Cap 5/8-11 x 2-1/4" Lg.
15.	Key, Woodruff No. 15	57.	Washer, Steel, .625" I.D.
16.	Bushing, "OILITE" No. AA-1049-1	58.	Shim Set, "TIMKEN"
17.	Roller, Arm	59.	Retainer, Rear Bearing
18.	Washer, Steel, .375" I.D.	60.	Cover, Gear Case, Top
19.	Pin, Link	61.	Seal, Oil, "CHICAGO RAWHIDE" No. 30087
20.	Arm, Reel *	62.	Ring, Retaining, "WALDES" No. 5100-62
21.	Bushing, Arm	63.	Pin, Drive
22.	Pin, Roll, "ESNA", No. 59-048-250-1500	64.	Brake, "WARNER ELECTRIC" No. TB-1225
23.	Pin, Roller	65.	Box, Electric Conduit, "WARNER ELECTRIC"
24.	Extension, Keeper, Front (Assembled)	66.	Plate, Name, Warning, Guard
25.	Frame, Keeper	67.	Hub, Brake
26.	Screw, "DANLY" Shoulder	68.	Retainer, Bearing
27.	Bushing, Flange, Pivot, Keeper	69.	Washer, Thrust Bearing
28.	Cam, Eccentric	70.	Bearing, Ball, "FAFNIR", No. 5206W
29.	Handle, Cam, Keeper	71.	Plate, Retainer
30.	Plate, Cover, Keeper	72.	Handwheel
31.	Shoe, Clamp, Front Keeper	73.	Nut, Elastic Stop 1/2-20
32.	Plate, Pressure, Keeper	74.	Washer, Flat 1/2" I.D.
33.	Link +	75.	Spring, "DANLY DIE"
34.	Pad, Rubber	76.	Nut, Hex. Jam 1"-14
35.	Seal, Oil, "CHICAGO RAWHIDE" No. 39933	77.	Pin, Handle, Spring
36.	Bearing, Roller, "TIMKEN" No. 780-772	78.	Bar, Handle
37.	Shaft, Spindle *	79.	Pin, Roll 5/16 x 1-1/4" Lg.
38.	Key, Feather, .875" x .875" x 4" Lg.	80.	Plate, Name, Lube Handwheel
39.	Key, Feather, .375" x .375" x 2" Lg.	81.	Handle, Mach. "BALCRANK"
40.	Bearing, Roller, "TIMKEN" No. 652-659		
41.	Screw, Hex. Hd. 3/8-16 x 1" Lg.		
42.	Washer, Lock 3/8" I.D.		

* Specify whether For 12", 18", or 24"
Wide Reel

+ Specify I.D., Required

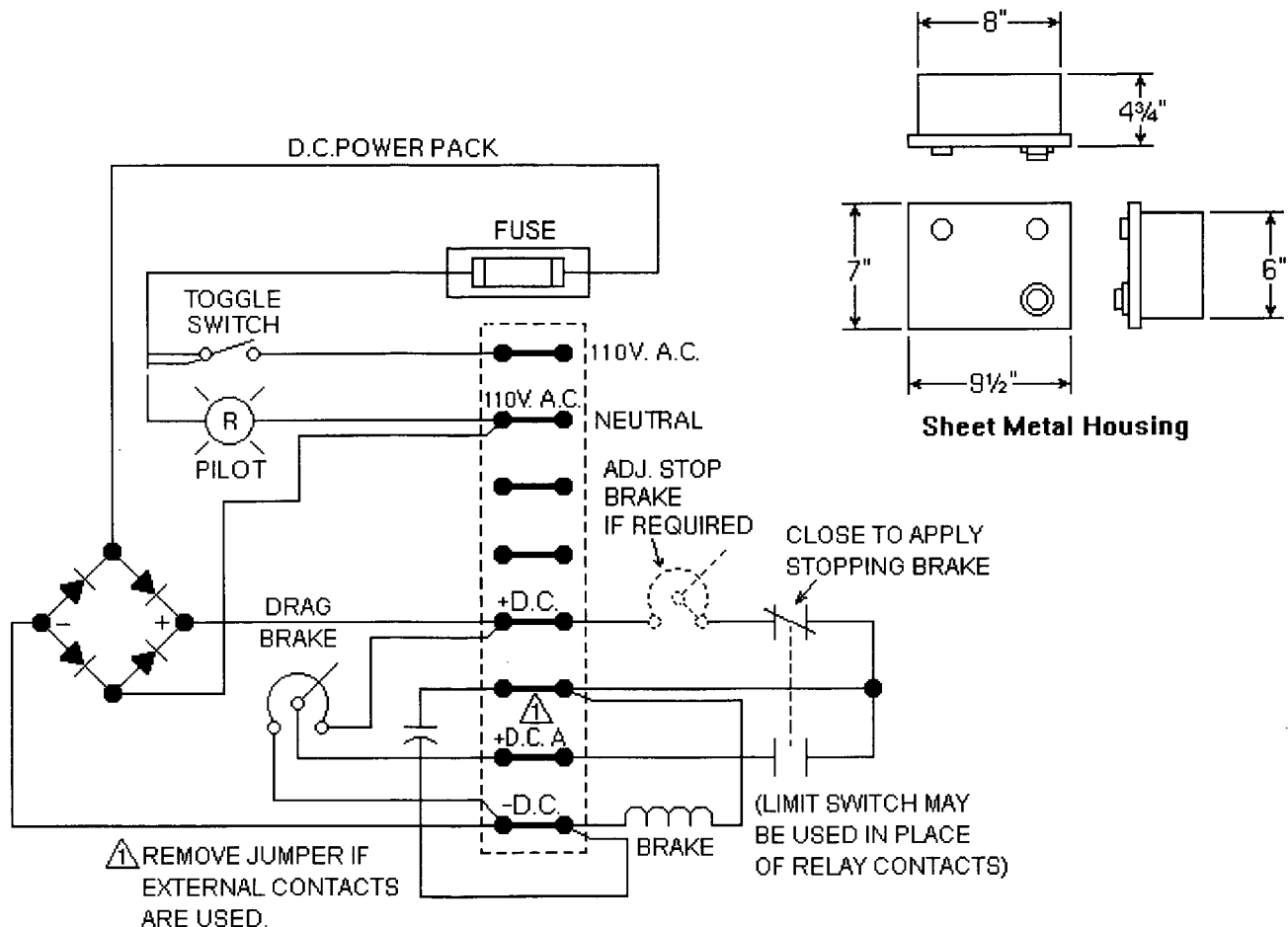
**NO. 6000 ADV. SERIES SINGLE A.C. REEL
BASE ASSEMBLY & PARTS LIST**



ITEM NO.	DESCRIPTION
1.	Plate, Cover
2.	Plate, Power Pack
3.	Plate, Name, Caution, Instruction/Compliance
4.	Plate, Caution, Safety for Uncoiler
5.	Plate, Name, Reel and Coil Capacity
6.	Screw, Bind. Hd. 1/4-20 x 3/8" Lg.
7.	Cord, Power, "MFG-STD"
8.	Power Supply "HUSSMAN ENG. CORP."
9.	Base

IMPORTANT
When ordering repair parts, specify item number plus serial number, and size of machine. Send all repair part orders to the Addison factory. Area code: (708) 916-6662, Repair Dep't.

NO. 6000 ADV. SERIES SINGLE A.C. REEL WIRING DIAGRAM



DEVICE	DESCRIPTION	LITTELL PART NO.	QTY. REQ.
TOGGLE SWITCH	"CARLING" CAT. AMP. SPST. 600C 20 AMP	245280	1
FUSE HOLDER	"LITTLEFUSE" NO. 357001	232035	1
FUSE	"BUSS" TYPE MDA 1 AMP 250 VOLT	096684	1
PILOT LIGHT	"MFG-STD" ELEC. (150V) NO. 1050A1-65	245269	1
SILICON RECTIFIER	"GENERAL INSTRUMENT" (115 VAC to 90 VDC 25 AMP) NO. KBPC25-06	096567	1
CAPACITOR	"SPRAGUE" 6TM-P25 or "CORNELL-DUBI" PKM6P25 (.25MFD 600V.D.C.)	239653	1
RHEOSTAT AND KNOB	"OHMITE" (50 WATTS 1000 OHMS) NO. 37399 and NO. 5150	090577	1
TERMINAL STRIP	"CINCH JONES" NO. 8-140 (8 TERMINALS)	229419	1
POWER PACK ENCLOSURE	"HUSSMAN" ENCLOSURE CORP.	090587	1