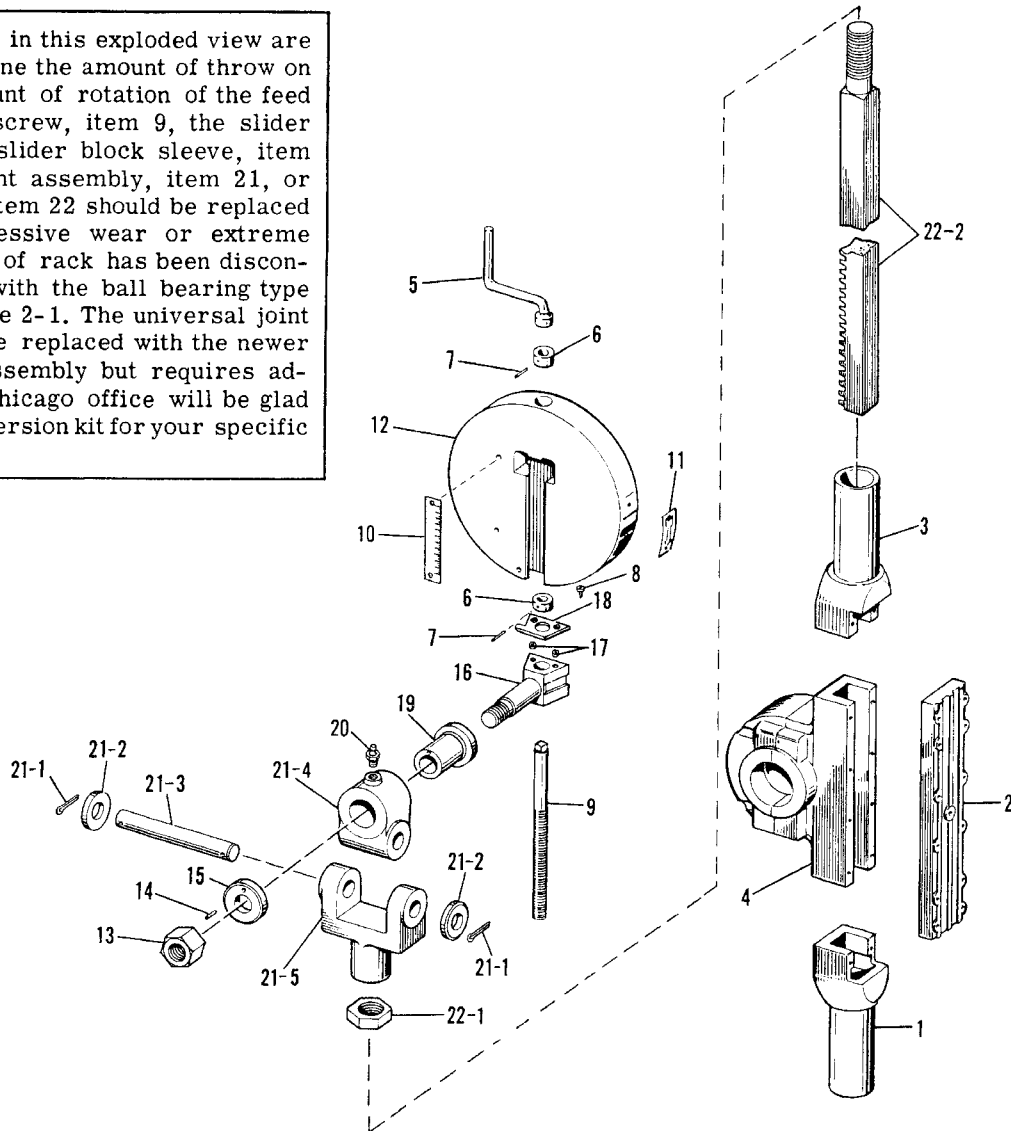


# SECTION V

## UNIVERSAL-JOINT RACK



The parts shown in this exploded view are the ones that determine the amount of throw on the rack or the amount of rotation of the feed roll. The adjusting screw, item 9, the slider block, item 16, the slider block sleeve, item 19, the universal joint assembly, item 21, or the rack assembly, item 22 should be replaced when they show excessive wear or extreme looseness. This type of rack has been discontinued and replaced with the ball bearing type rack described on page 2-1. The universal joint rack assembly can be replaced with the newer ball bearing rack assembly but requires additional parts. The Chicago office will be glad to quote you on a conversion kit for your specific feed.



INDEX NO.	DESCRIPTION
1	Guard - Lower Rack
2	Cover - Rack Guide
3	Guard - Upper Rack
4	Guide Rack Assembly
5	Wrench - Adjusting Screw
6	Collar - Adjusting Screw
7	Pin - Taper
8	Screw - Self-tapping
9	Screw - Adjusting
10	Scale - Feed
11	Plate - Timing
12	Face - Disc
13	Nut - Slider Block
14	Pin - Roll
15	Washer - Slider Block
16	Block - Slider

INDEX NO.	DESCRIPTION
17	Spacer - Pointer
18	Pointer - Slider Rack
19	Sleeve - Slider Block
20	Fitting - Grease
21	Assembly - Universal Joint Consisting of: 21-1 Pin - Cotter 21-2 Washer - Steel 21-3 Pin 21-4 Joint - Upper Universal 21-5 Joint - Lower Universal
22	Assembly - Rack Consisting of: 22-1 Nut - Hex, Jam 22-2 Rack